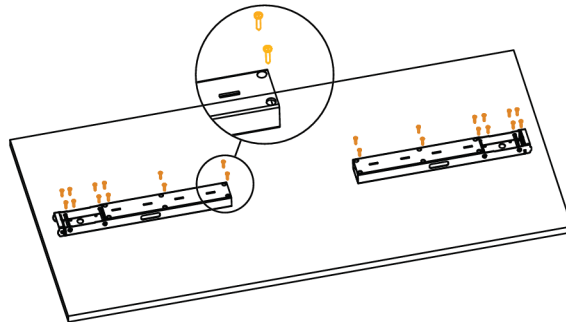




Before you begin, please make sure all parts and proper quantities are included. (See Part Identifier Key) Any parts damaged during shipment must be reported within 24 hours of receipt. To report information regarding damages or if you have any questions, please call 800.242.2303.

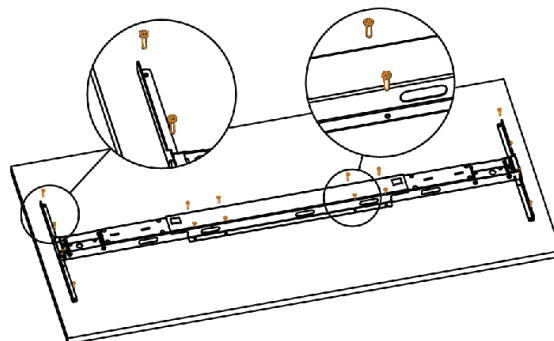
Step 1:

- Place both 1200-1800 tube frames on the top. Align with the pre-drilled holes in the top.
- Install (24) 5mmx25mm button-head screws using a Phillips bit and screw gun.



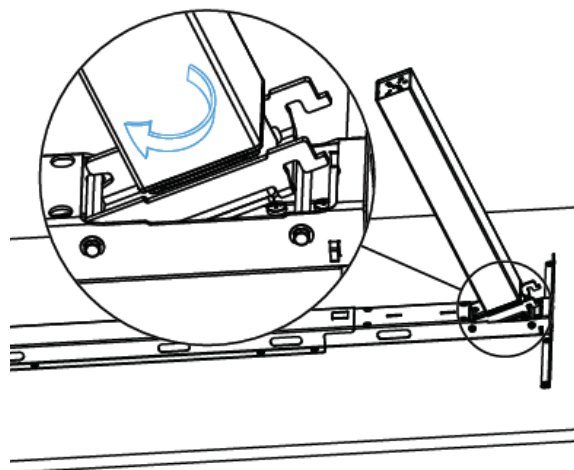
Step 2:

- Place adjustment-u-channel and top supports on the top as shown in the image below, align with the pre-drilled holes in the top. Install (16) 5mmx25mm button-head screws using a Phillips bit and screw gun.



Step 3:

- Locate Column LifeUp Pro TM Q70/3. Insert into tube frame & adjustment-u-channel as shown below. Apply pressure until column is snug and secure.



Tools Required

- Phillips screwdriver OR
- Phillips bit
- Screw gun
- 12mm Allen wrench

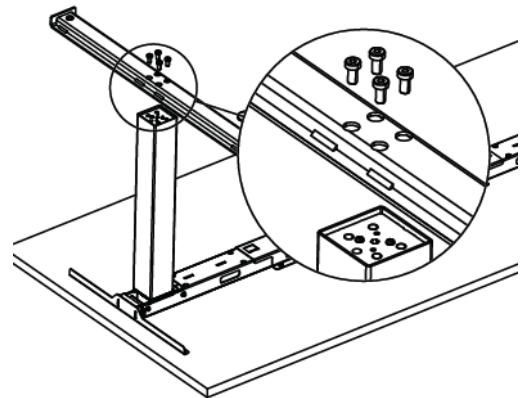
Assembly Instructions

Elevate Admin Table

Electric

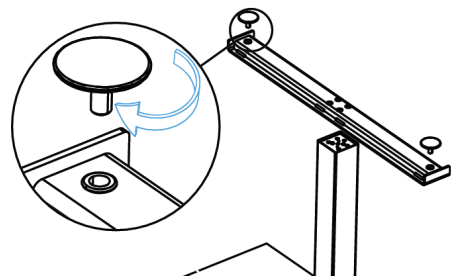
Step 4:

- Place one foot on top of the column aligning the holes.
- Using a 12mm Allen wrench, fasten foot to column with (4) M8x16 Cylinder screws.
- Repeat **Step 4** for other foot.



Step 5:

- Twist each leveler into the hole of the feet until tight.

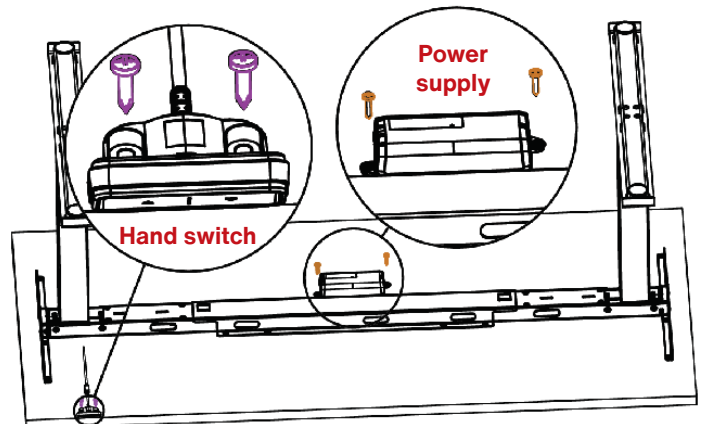


Step 6:

- Place 240W power supply on the table top as shown in the image to the right. Align with the pre-drilled holes. Attach using (2) **5mm x 25mm button-head screws** and a #2 Phillips screwdriver.

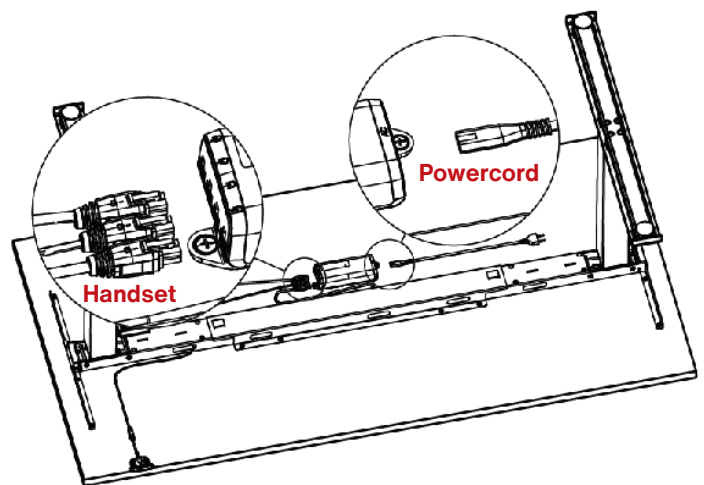
Step 7:

- Place hand switch on the table top as shown in the image to the right. Align with the pre-drilled holes. Attach using (2) **4mm x 16mm button-head screws** and a #2 Phillips screwdriver.



Step 8:

- Plug power cord and handset in to the power supply as shown in the image to the right.



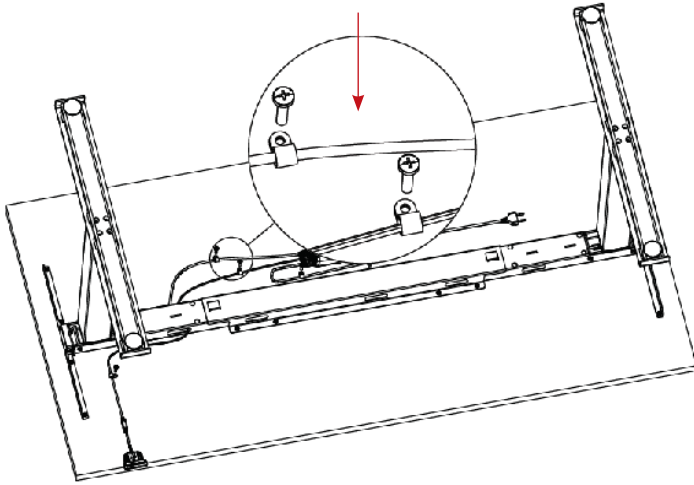
Assembly Instructions

Elevate Admin Table

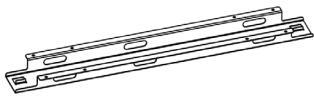
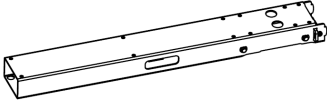
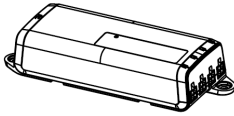


Electric


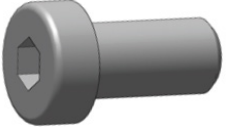


Step 9:

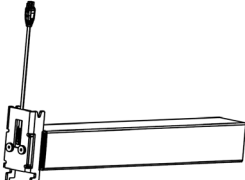

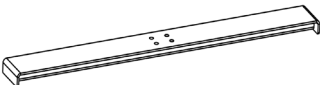
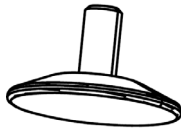
- Thread power cord through cord mouting clamps.
- Align the holes on the clamps with the pre-drilled holes on the table top. Attach with screws (NOT PROVIDED).



Part Identifier Key

Package 2	Description	Qty
	Adjustment-U-Channel	1
	1200-1800 tube frame	2
	240W power supply	2
	Hand switch	4
	Power cord	1

Package 2	Description	Qty
	Button-head screw ø5 x 25	42
	Cylinder screw with hexagon socket M8 x 16	8
	Button-head screw ø4 x 16	2
	Cord mounting clamp	4

Package 1	Description	Qty
	Column LifeUp Pro TM Q7 ² / ₃	2
	Top Support	2
	Foot	2
	Leveler	4

NOTE: Pneumatic desks and tables are intended for indoor use only. 60°F - 75°F is the recommended temperature in which a pneumatic column is to be used in. Typical movement of the pneumatic columns may be inhibited if used in a situation where temperatures fall below 50°F. The system may move with much less effort in climates above 80°F.