

Assembly Instructions

LOBO Table

Epoxy Top



Before you begin, please make sure all parts and proper quantities are included. (See Part Identifier Key) Any parts damaged during shipment must be reported within 24 hours of receipt. To report information regarding damages or if you have any questions, please call 800.242.2303.

Tools Required

- 1/2" wrench
- Polyurethane sealant

CAUTION: Any use of an epoxy top utilized in a mobile application will void any/ all implied warranties to the top. This is due to exposing edges of an epoxy top to impacts will likely result in damages to the top.

In adhering the tops to the frames, we have found that using a polyurethane sealant/adhesive works best in this application. It is recommended to identify an adhesive sealant that when fully cured, retains it's flexibility.

Step 1:

- Place the LOBO frame on a protected flat surface.

Step 2:

- Starting at one corner, place the 5/16" bolt that is welded to leg through corner support brace of frame.

Step 3:

- Place the 5/16" lock washer and 5/16" hex nut onto the leg bolt and tighten with 1/2" wrench. Repeat **Steps 2 & 3** on remaining legs.
- Adjust leg to desired height.

Step 4:

- Place the top face down on a protected flat surface next to the completed LOBO frame.

Step 5:

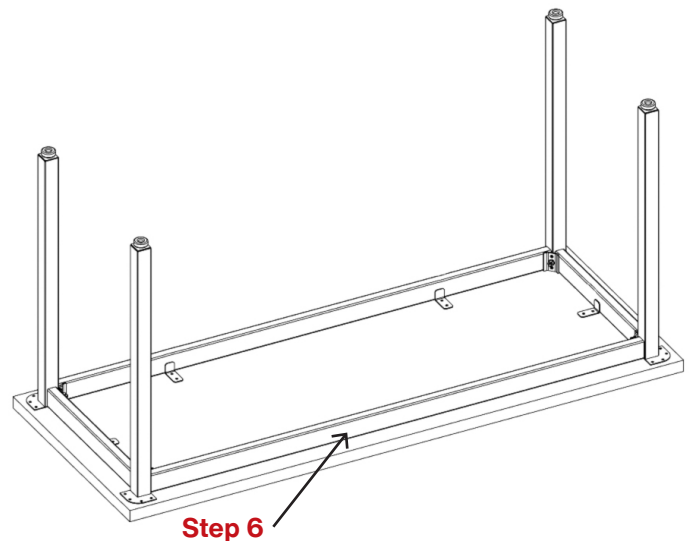
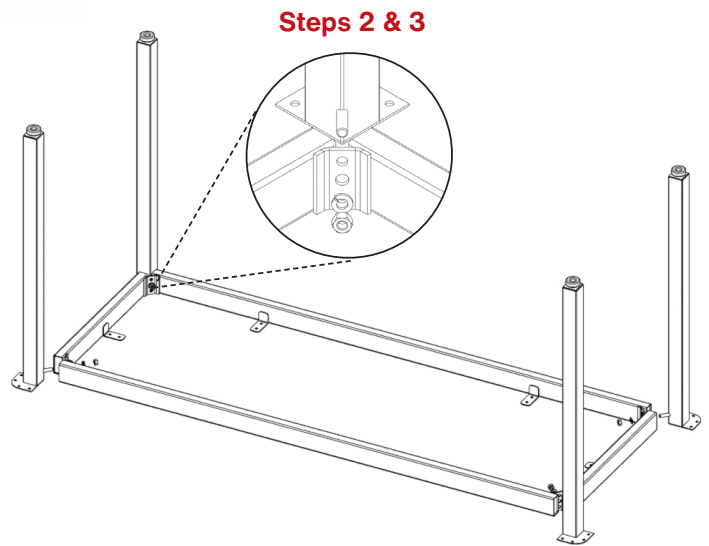
- Make sure frame and top are clean and free from any debris and/or contamination that would interfere with adhesion of sealant applied.

Step 6:




- Apply a bead of polyurethane sealant/adhesive (provided by installer) on the full perimeter of the frame and manually center frame to top. (There will NOT be any pre-drilled pilot holes in the epoxy top.)
- **DO NOT attempt to use ANY hardware to attach the top to the frame that is included in the leg packaging.**
- Table must cure for **24 HOURS** in this position before continuing to Step 7.



Step 7:



- After letting assembled frame and top cure for 24 hours, turn table upright with the help of another person.



Part Identifier Key

Part #	Description	Qty.	
0408231	#10 x 3/4" Square pan screws DO NOT use on EPOXY tops!	26 (Included in Hardware Pack located in leg box)	
Hardware Pack	5/16" lock washers	4	
040379	5/16" hex nuts (Used to attach legs to frame)	4	

Part #	Description	Qty.	
04066968	3" Heavy Duty Caster Hardware Pack - Used only with 2" adj. legs (-ALR & -ABP) (Discard if casters are not installed.)		
	1/4" Star washers (04067460)	4 per set	
	M6 1x18 screws (04067064)	4 per set	

Part #	Description	Qty.	
0402020	3" Heavy Duty Caster Hardware Pack - Used only with 1.5" adj. legs (-ADJ) (Discard if casters are not installed.)		
	1/4" Star washers (04067460)	4 per set	
	M6 1x14 screws (0401259)	4 per set	

LOBO Legs

Adjustable Legs

Model #	Smooth Silver Sku #	Black Sku#	Description	Weight	Leg Height"
LOB -ADJ	0409195-G4	0409195	LOBO 1.5" (40mm) Square Adj. Leg	18	22.25 - 36.25
LOB -ALR	0409193-G4	0409193	LOBO 2" (50mm) Round Adj. Leg	20	22.25 - 36.25
LOB -ABP	N/A	0409196	LOBO 2" (50mm) Big Paw Sq. Adj. Leg	20	22.25 - 36.25



Fixed Legs

Model #	Smooth Silver Sku #	Black Sku#	Description	Weight	Leg Height"
LOB -FX	0409194-G4	0409194	LOBO 1.5" (40mm) Square Fixed Leg	16	28.75



Assembly Instructions

LOBO Table

w/Gussets

Step 1:

- Make sure that legs are fully installed and adjusted to the correct height.
- Place gusset in corner where leg and frame meet. Use a rubber mallet to tap the #10 self-drilling screws into place.

Step 2:

- Using a screw gun along with a 5/16" hex bit to finish fastening the gussets to the leg and frame with the #10 self-drilling screws.
- Repeat for remaining gussets.

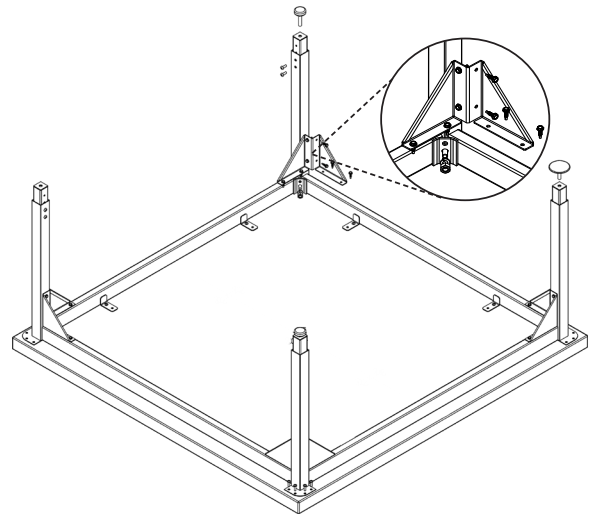
Step 3:

- Turn table to the upright position with the help of another person.



Before you begin, please make sure all parts and proper quantities are included. (See Part Identifier Key) Any parts damaged during shipment must be reported within 24 hours of receipt. To report information regarding damages or if you have any questions, please call 800.242.2303.


Tools Required

- 5/16" wrench
- Screw gun
- Rubber mallet



Part Identifier Key

Part #	Description	Qty.	
04066920	Gussets w/Hardware Pack - Used only with square LOBO legs		
	#10-16 x 3/4" hex head self-drilling screws (04009742)	8 per gusset	
	Gusset for square legs	1 per leg	

Part #	Description	Qty.	
04066918	Gussets w/Hardware Pack - Used only with round LOBO legs		
	#10-16 x 3/4" hex head self-drilling screws (04009742)	6 per gusset	
	Gusset for round legs	1 per leg	