

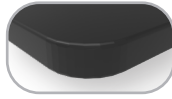
### Butcher Block Seats:

Hardwood: 1.25" thick face-glued hardwood strips with 0.125" radius comfort edges and rounded corners with two coats catalyzed clear lacquer top and sides with one clear coat bottom.



### Phenolic Seats:

1" thick matte black phenolic resin with 0.125" radius comfort edges and rounded corners with high resistance to chemicals, humidity and abrasions.



### Pedestal Specifications:

**Diameter:** 2.375"

**Finishes:** 14-gauge T304 stainless steel, 16-gauge Q235B steel painted with almond gloss finish

**Pedestal Height:** 16.25"H

**Parts Bag:** Hex head lag screw, zinc .25" x 1" long, qty 12

**Span Recommendation:** 4 foot maximum span between pedestals

**Packaging:** 2 legs with hardware per box; sold individually

**Bench Seat Options:** Butcher Block, Phenolic



Painted almond gloss finish



Stainless steel finish

### ADA Bench Frame Specifications:

**Legs:** 2" - 14 gauge tubing with .25" steel plates

**Backrest Frame:** 1.25" - 14 gauge tubing with 10 gauge steel plates

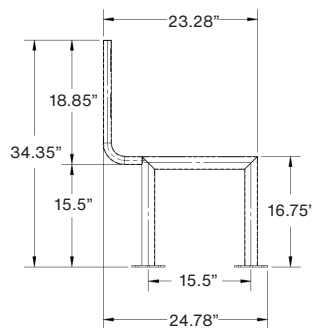
**Finishes:** Almond or T201 stainless steel

**Height:** Pedestal is 34.35" and 18"H seating height which includes a 1.25" faced-glued hardwood strips

**Span Requirement:** In order to be ADA compliant, the space between the bench back and seat CAN NOT exceed 2".

**Packaging:** 2 legs with hardware per box; sold individually

**Bench Seat Option:** Butcher Block



**Shipping Class:** 70, Density Based Class

**NMFC#:** 79860 (Locker Benches), 83630 (Pedestals, Brackets)

**Assembly:** Unassembled

### U- Shaped Pedestal Specifications:

**Diameter:** 1.5" round

**Finishes:** 16-gauge painted black steel with 14-gauge support bracket

**Pedestal Height:** 17.862"H with 1<sup>3</sup>/<sub>8</sub>" nylon glide; overall 19"H assembled

**Span Recommendation:** 4 foot maximum span between pedestals; 96" bench ships with 3 pedestals

**Packaging:** Sold as 48", 60", 72", 96"L kit with 12", 15" and 18"W hardwood locker room bench

**Bench Seat Option:** Butcher Block



### Trapezoid Specifications:

**Diameter:** 2.375"

**Finishes:** 16-gauge T201 stainless steel or 16-gauge steel painted almond gloss

**Pedestal Height:** 16.25"H

**Parts Bag:** Hex head lag screw, zinc .25" x 1" long, qty 12

**Span Recommendation:** 4 foot maximum span between pedestals

**Packaging:** 2 legs with hardware per box; sold individually

**Bench Seat Options:** Butcher Block  
(This pedestal is recommended for benches 12"D or 18"D; otherwise, the base of the pedestal is significantly wider than a 9.5"D bench seat.)



### Wall Mount Brackets:

**Materials:** 1.5"W x .125" steel bracket or 12-gauge #4 stainless steel with reversible design; 3" x 3" notch for wall cleat or wire run clearance

**Finishes:** Almond (-A) Powder Coated; Black (-B) Powder Coated; Stainless Steel (-SS)

**Span Recommendation:** 4 ft max span between brackets

**Packaging:** Sold as pair with 2 brackets per package; wall fasteners are not included

**Bench Seat Option:** Butcher Block

**NOTE:** Hardware to mount pedestals and brackets to the floor or wall are required but not included as the substrate is unknown.



### Important Information

- It is recommended to install two pairs of round pedestals for every four foot span on ADA benches. It is recommended to install two pedestals for every four foot span on locker benches. Hardware to attach pedestals to the bench is included. Benches greater than 72" require more than 2 pedestals. Benches 20" and wider need more than 1 pedestal per side.
- It is recommended to attach pedestals to the floor, hardware to attach pedestals to floor is not included.
- Hardwood locker benches are not recommended for areas with high moisture content. Failure to properly protect benches from moisture negates the product warranty.

### Hardwood Locker Bench Seats & Accessories

9.5" Depth	12" Depth	18" Depth	20" Depth	24" Depth	Seat Length"
LBS9H024	LBS12024	LBS18024	LBS20024	LBS24024	24
LBS9H036	LBS12036	LBS18036	LBS20036	LBS24036	36
LBS9H042	LBS12042	LBS18042	LBS20042	LBS24042	42
LBS9H048	LBS12048	LBS18048	LBS20048	LBS24048	48
LBS9H060	LBS12060	LBS18060	LBS20060	LBS24060	60
LBS9H072	LBS12072	LBS18072	LBS20072	LBS24072	72
LBS9H084	LBS12084	LBS18084	LBS20084	LBS24084	84
LBS9H096	LBS12096	LBS18096	LBS20096	LBS24096	96
LBS9H108	LBS12108	LBS18108	LBS20108	LBS24108	108
LBS9H120	LBS12120	LBS18120	LBS20120	LBS24120	120
LBS9H132	LBS12132	LBS18132	LBS20132	LBS24132	132
LBS9H144	LBS12144	LBS18144	LBS20144	LBS24144	144

Drilling and attachment done onsite by others.

### Hardwood Locker Bench Seats

20" Depth	Seat Length"
LBS20060	60
LBS20072	72

LBS/SQ FT 5.0



### ADA Hardwood Locker Bench Seats

20" Depth	24" Depth	Seat Length"
LBS20042	LBS24042	42
LBS20048	LBS24048	48

LBS/SQ FT 5.0



Meets ADA requirements

### Locker Bench Pedestals & Wall Mount Brackets

Model #	Wgt	Description	Qty
MSLP	5.5	16.25"H Round Pedestals, Almond (includes bench top mounting hardware)	1
SSLP	5	16.25"H Round Pedestals, Stainless Steel (includes bench top mounting hardware)	1
04009060	5.5	16.25"H Trapezoid, Stainless Steel (includes bench top mounting hardware)**	1
04009060-04	6	16.25"H Trapezoid, Almond (includes bench top mounting hardware)**	1
0406773	2	17.75"H U-Frame, Black**	1
0400151	3	18" x 20" ADA Stainless Steel Backrest Bracket	1
0400490-04	23	ADA Frame, Almond	1
0400490-SS	18	ADA Frame, Stainless Steel	1

\*\*Recommended for benches with depths between 12" and 18", floor mounting hardware not included.



### Locker Bench Wall Mount Brackets\*

Black (-B)	Almond (-A)	Stainless Steel (SS)	Wgt	Description
BKT0508-B	BKT0508-A	N/A	2	9.5" and 12" Deep Seat (Pair)
BKT0812-B	BKT0812-A	N/A	4	15" Deep Seat (Pair)
BKT1218-B	BKT1218-A	BKT1218-SS	6	20" Deep Seat (Pair)
BKT1521-B	BKT1521-A	BKT1521-SS	8	18" and 24" Deep Seat (Pair)

\*Drilling and attachment done onsite by others.

